

End fittings		Max. torque
Tractor	Cod: C12	-
Implement	Cod: T26	1200 Nm - 10627 in.lb.

Notes:  
 CERTIFIED

**Warning !**  
 Sections of driveline marked are not shielded and must be shielded by an interactive guarding system.  
 COMER spa declines responsibility if proper guards are not provided or maintained.

**Features**

Series:	V
Type:	60
Code:	09.685.026.01
Description:	V600910ENC12T26
Customer's code:	-
Colour:	Black

**Last drawing**

Index: -	Date: -
----------	---------

**Application**

-
---

**Driveline data**

X	1 3/8" Z6 DIN 9611
Y	1 3/8" Z6 DIN 9611
E	750-29.53"
I	765-30.12"
P	680-26.77"

**Overlap**

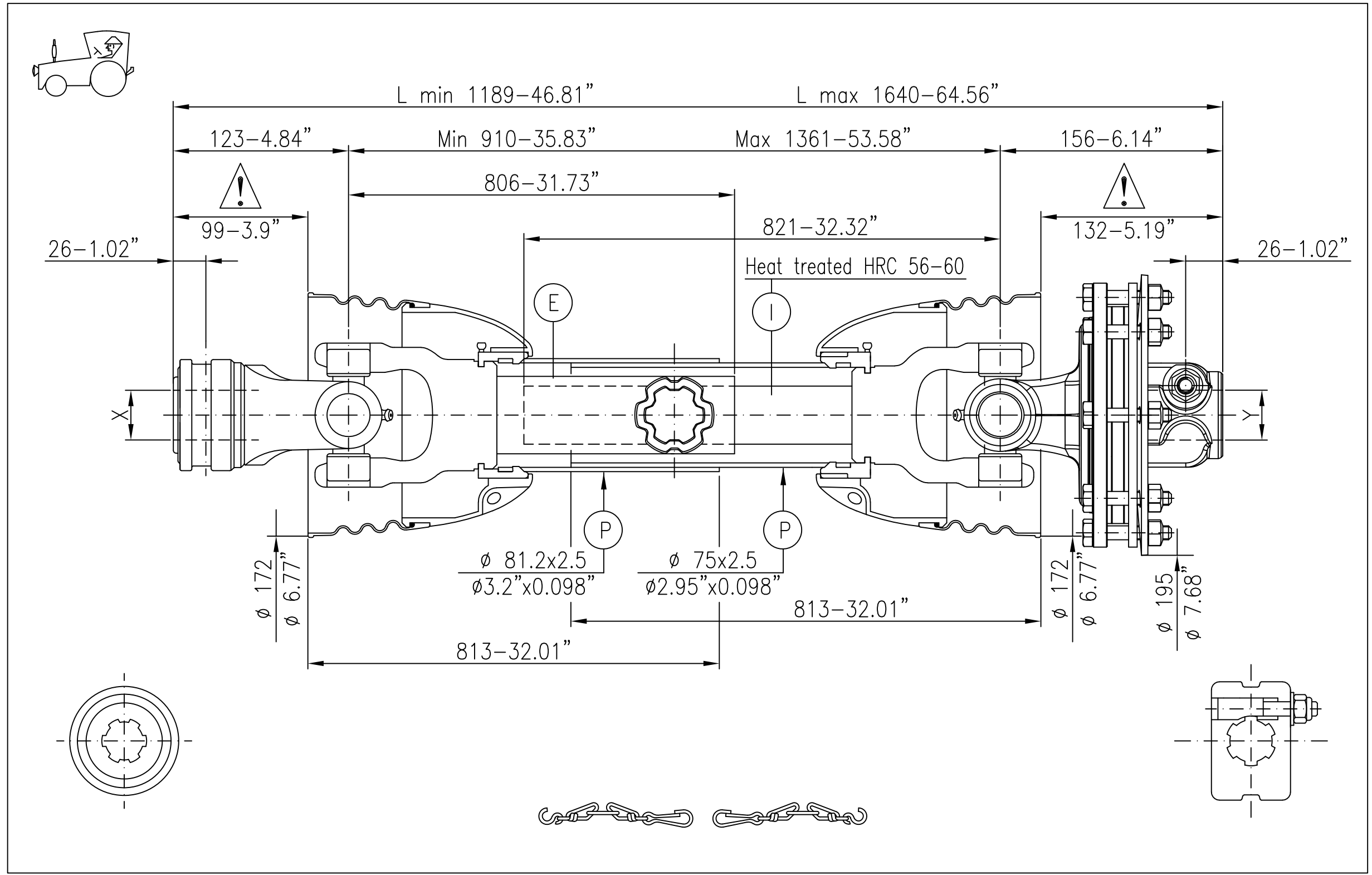
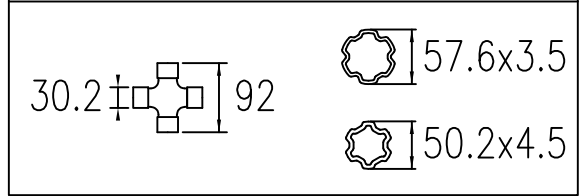
	Steel tubes	Guard
Max.	717-28.23"	660-25.98"
Min.	266-10.47"	209-8.23"

**Greasing point**

1)	-
2)	-

The dimensioning is cross to cross

**Cross and tubes**



**Data 540 r.p.m.**

KW	CV	Nm.	in.lb.
50	68	880	7790

**Data 1000 r.p.m.**

KW	CV	Nm.	in.lb.
77	105	740	6510

1100 min.<sup>-1</sup>  
 r.p.m. max.

**Data for only critical velocity**

	540 r.p.m.	1000 r.p.m.
Max.	-	Max. -
L max.	-	L max. -

Customer:  
 -

Continuous operation data and conditions, working angle 5°, average life 1000 hours

Checked:      Signed by: A.S.

Date: 17-10-18